

<b>Subject:</b>  <b>WHISTLE NOISE FROM OUTER MIRROR WHILE DRIVING</b>	<b>Bulletin No:</b> 09-051/14
	<b>Last Issued:</b> 12/17/2014

## APPLICABLE MODEL(S)/VINS

2014 Mazda3 vehicles with VINs lower than JM1BM\*\*\*\*\*209985 (produced before May 20, 2014)

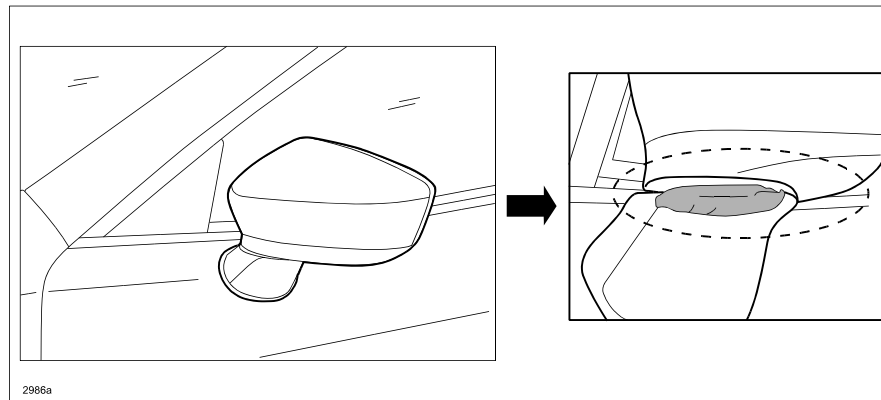
## DESCRIPTION

Some vehicles may exhibit a whistle noise from the outer mirror while driving at 37 mph (60 km/h) or more. This noise may be caused by air passing through a gap in the mirror base cover. To correct the problem, the shape of the mirror base cover has been changed.

Customers having this concern should have their vehicle repaired using the following repair procedure.

## REPAIR PROCEDURE

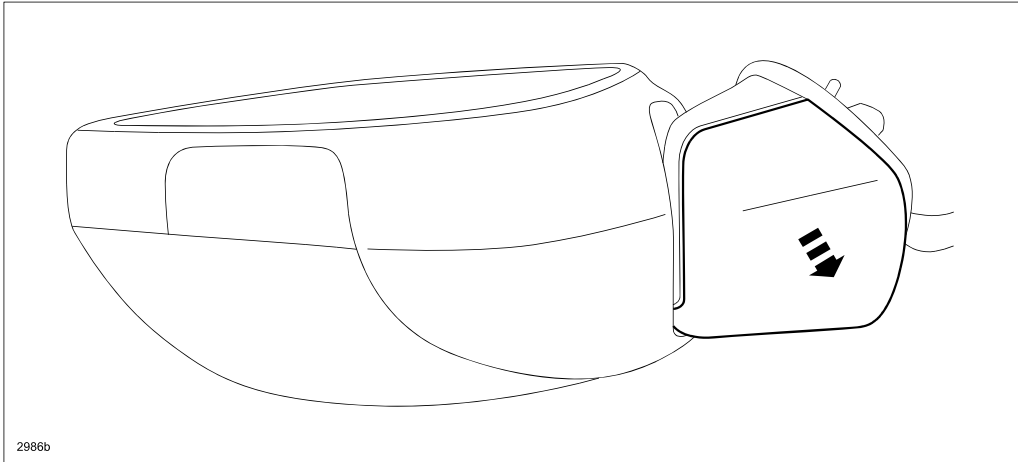
1. Verify customer concern.
2. If the whistle noise was verified, apply masking tape to the mirror base to seal the gap as shown below (to both side mirrors), then test drive in the same condition to see if the whistle noise decreases.



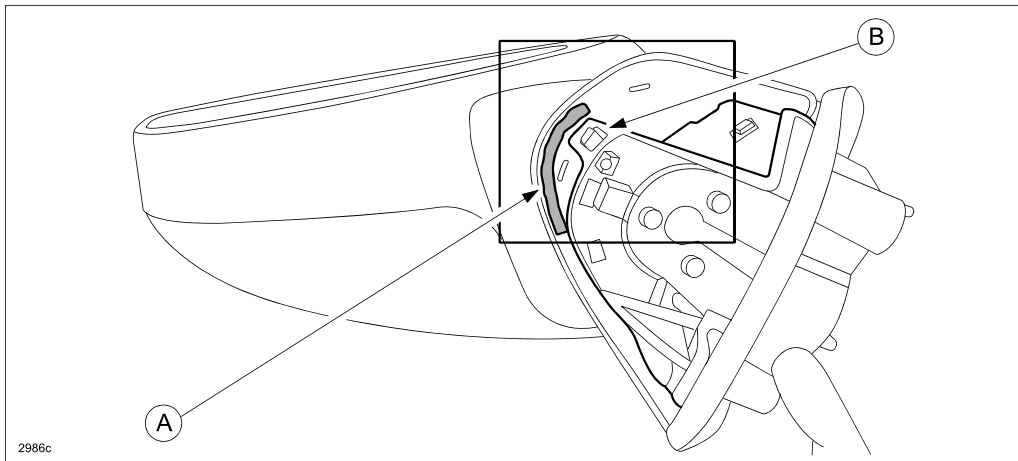
3. If the whistle noise decreased, remove the outer mirrors according to the instructions on MS3 online or the Workshop Manual (section 09-12 POWER OUTER MIRROR REMOVAL/INSTALLATION).

4. Remove the mirror base cover cap.

**NOTE:** Replace the mirror base cover cap with a new one during reinstallation as it is likely to be broken during removal.



5. Attach a sheet of 5 mm thick non-woven fabric (A) from the “Noise Repair Kit” to the specified position as shown (both side mirrors) away from the rib (B).



6. Replace the mirror base cover cap.

7. Reinstall the outer mirrors.

8. Verify repair.

## PART(S) INFORMATION

Part Number	Description	Qty.
TA01-76-100	Noise Parts Set	1
BHN9-69-1C3	Door Mirror Base Cap (R)	1
BHN9-69-1C9	Door Mirror Base Cap (L)	1

## WARRANTY INFORMATION

**NOTE:**

- This warranty information applies only to verified customer complaints on vehicles eligible for warranty repair.
- This repair will be covered under Mazda's New Vehicle Limited Warranty.
- Additional diagnostic time cannot be claimed for this repair.

Warranty Type	A
Symptom Code	82
Damage Code	9M
Part Number Main Cause	BHN9-69-1C3
Quantity	1
Operation Number / Labor Hours:	XXKABRX / 0.8 Hrs. (Both sides)