



© 2016 Mazda Motor of America, Inc.

<b>Subject:</b>  PRE-MIXED LONG-LIFE "FL22" ENGINE COOLANT	<b>Bulletin No:</b> 01-002/16
	<b>Last Issued:</b> 02/05/2016

## BULLETIN NOTE

This bulletin supersedes the previously issued bulletin(s) listed below. The changes are noted in Red beside the change bars.

Previous TSB(s):
01-033/07
01-029/05

## APPLICABLE MODEL(S)/VINS

2016 CX-3

2013-2016 CX-5

2007-2012 CX-7

2007-2016 CX-9

2011-2016 Mazda2

2006-2015 Mazda5

2006-2016 Mazda6

2006-2016 MX-5

2005 - 2006 MPV vehicles with VINs greater than JM3LW28\*\*\*5\*546928

2005 - 2011 RX-8 vehicles with VINs greater than JM1FE17\*\*5\*155009

2007 Mazdaspeed6 vehicles with VINs greater than JM1GG\*\*\*\*7\*110220

2008 - 2013 Mazdaspeed3 vehicles with VINs greater than JM1BK\*\*\*\*8\*864673

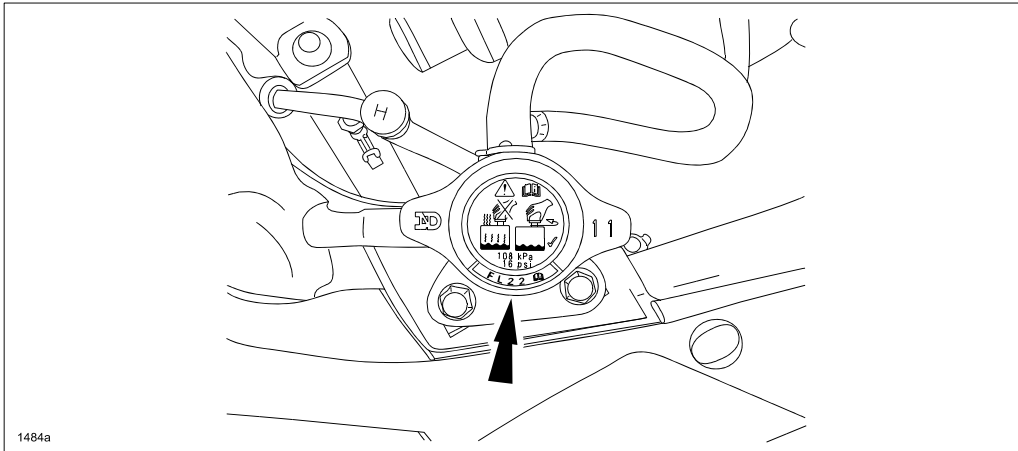
2008 - 2016 Mazda3 vehicles with VINs greater than JM1BK\*\*\*\*8\*864673

**CONSUMER NOTICE:** The information and instructions in this bulletin are intended for use by skilled technicians. Mazda technicians utilize the proper tools/equipment and take training to correctly and safely maintain Mazda vehicles. These instructions should not be performed by "do-it-yourselfers." Customers should not assume this bulletin applies to their vehicle or that their vehicle will develop the described concern. To determine if the information applies, customers should contact their nearest authorized Mazda dealership. Mazda North American Operations reserves the right to alter the specifications and contents of this bulletin without obligation or advance notice. All rights reserved. No part of this bulletin may be reproduced in any form or by any means, electronic or mechanical---including photocopying and recording and the use of any kind of information storage and retrieval system ---without permission in writing.

## DESCRIPTION

To enhance service life, reduce waste material, and lower maintenance costs, long-life pre-mixed "FL22" engine coolant has been introduced into mass-production for the applicable models listed in this service bulletin.

Models with FL22 long-life coolant can be identified by the "FL22" marking on the cooling system cap label. It is recommended that FL22 coolant continue to be used for models originally filled with FL22 coolant from the factory.

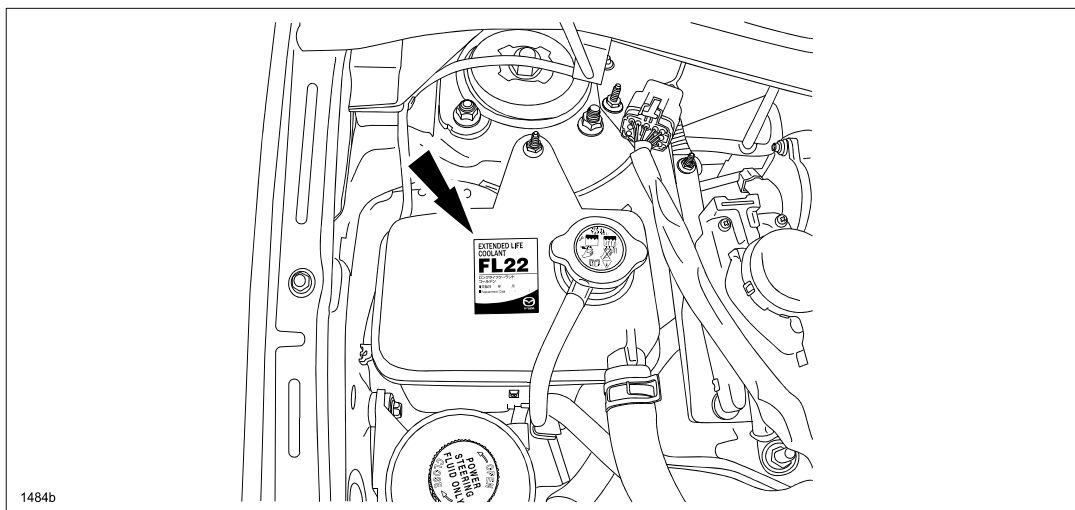


**CAUTION:** FL22 coolant is "pre-mixed" and must be added to the cooling system as is. **DO NOT ADD WATER TO FL22 COOLANT.** Adding water will dilute the solution and lessen the effectiveness of the coolant.

When coolant replacement becomes necessary for older Mazda models not originally filled with FL22 coolant, FL22 coolant can be used. If FL22 coolant is used for older models, be sure to place a FL22 sticker on the reserve tank or degas bottle to indicate FL22 coolant is being used. Six (6) FL22 stickers are included with each case of coolant.

### NOTE:

- In the case of older models, the coolant replacement interval is every five (5) years or 60,000 miles.
- FL22 coolant is compatible with current (Green) ethylene glycol coolant.
- If FL22 coolant is mixed with existing Orange coolant, coolant color will turn black. For customer satisfaction, DO NOT mix FL22 coolant and Orange coolant.



**Bulletin No:** 01-002/16  
© 2016 Mazda Motor of America, Inc.

**Last Issued:** 02/05/2016

## (FL22) REPLACEMENT INTERVAL

<b>Pre-Mixed "FL-22" Engine Coolant</b>	<b>Interval</b>
OE Factory Fill (new engine)	10 Years <b>or</b> 120,000 miles
Subsequent Fills	5 years <b>or</b> 60,000 miles

## PART(S) INFORMATION

Part Number	Description	Qty.	Notes
0000-77-508E-20	FL22 Coolant (green)	1	Six (1 gal.) bottles of coolant and six FL22 stickers