

© 2014 Mazda Motor of America, Inc.

Subject: BUZZING NOISE FROM STEERING COLUMN	Bulletin No: 09-013/14
	Last Issued: 02/21/2014

APPLICABLE MODEL(S)/VINS

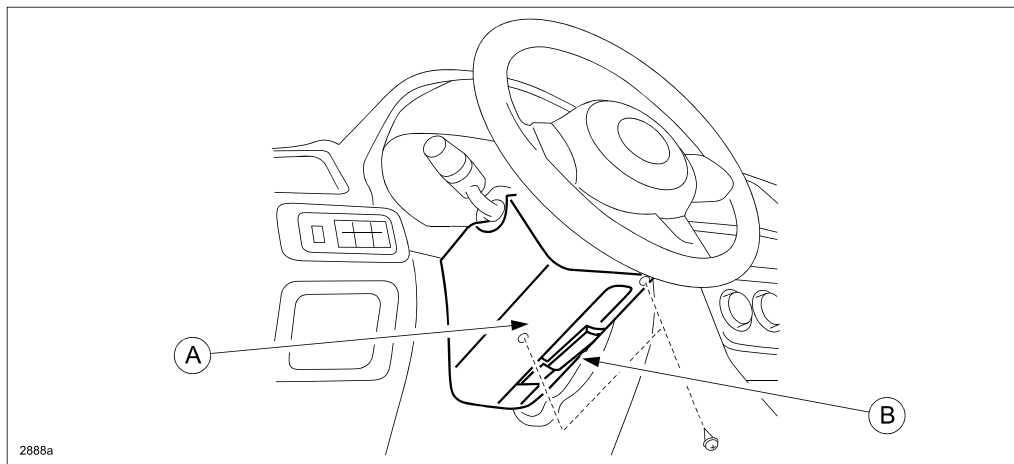
2013-14 CX-5 vehicles with VINs lower than JM3KE*****399399 (produced before October 3, 2013)

2014 Mazda3 vehicles with VINs lower than JM1BM*****125873 (produced before October 3, 2013)

2014 Mazda6 vehicles with VINs lower than JM1GJ*****149693 (produced before October 3, 2013)

DESCRIPTION

Some vehicles may experience a buzzing noise from the steering column when driving on rough roads or passing over speed bumps. This buzzing noise may be caused by the lower steering column cover (A) contacting the steering wheel adjustment lock lever (B). To correct the problem, felt is attached to the steering column cover.



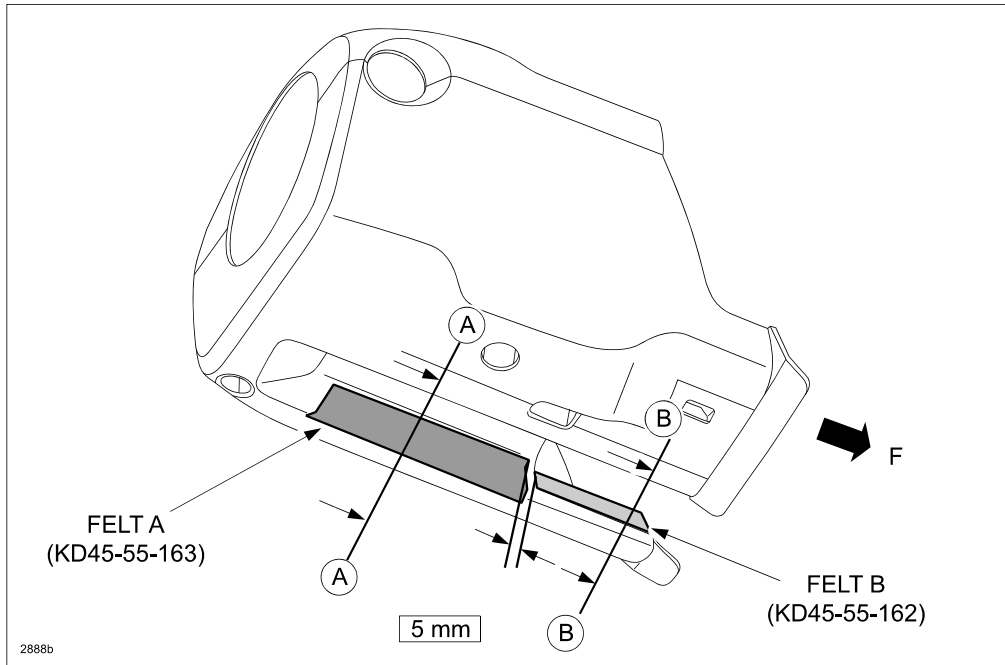
Customers having this concern should have their vehicle repaired using the following repair procedure.

CONSUMER NOTICE: The information and instructions in this bulletin are intended for use by skilled technicians. Mazda technicians utilize the proper tools/equipment and take training to correctly and safely maintain Mazda vehicles. These instructions should not be performed by "do-it-yourselfers." Customers should not assume this bulletin applies to their vehicle or that their vehicle will develop the described concern. To determine if the information applies, customers should contact their nearest authorized Mazda dealership. Mazda North American Operations reserves the right to alter the specifications and contents of this bulletin without obligation or advance notice. All rights reserved. No part of this bulletin may be reproduced in any form or by any means, electronic or mechanical---including photocopying and recording and the use of any kind of information storage and retrieval system ---without permission in writing.

REPAIR PROCEDURE

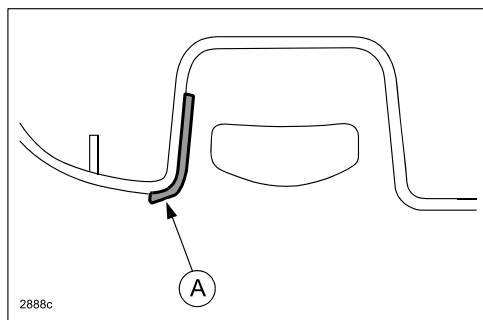
1. Verify customer concern.
2. Pull the lock lever release and attach the two pieces of felt (KD45-55-163 and KD45-55-162) to the lower steering column cover as shown, without removing the steering column cover (F: Front of vehicle).

NOTE: Provide 5 mm of clearance between the two pieces of felt. DO NOT overlap them to avoid peeling off.



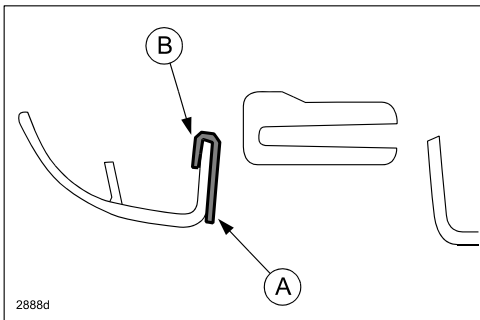
A-A cross section (Felt A)

A: End of edge



B-B cross section (Felt B)

A: End of edge; B: Fold back tip of the felt



3. Verify repair.

PART(S) INFORMATION

Part Number	Description	Qty.	Notes
KD45-55-163	Felt A	1	120 x 30 mm
KD45-55-162	Felt B	1	75 x 20 mm

WARRANTY INFORMATION

NOTE:

- This warranty information applies only to verified customer complaints on vehicles eligible for warranty repair.
- This repair will be covered under Mazda's New Vehicle Limited Warranty term.
- Additional diagnostic time cannot be claimed for this repair.

Warranty Type	A
Symptom Code	82
Damage Code	97
Part Number Main Cause	KD45-55-163
Quantity	1
Operation Number / Labor Hours:	XXK3RXX / 0.2 Hrs.